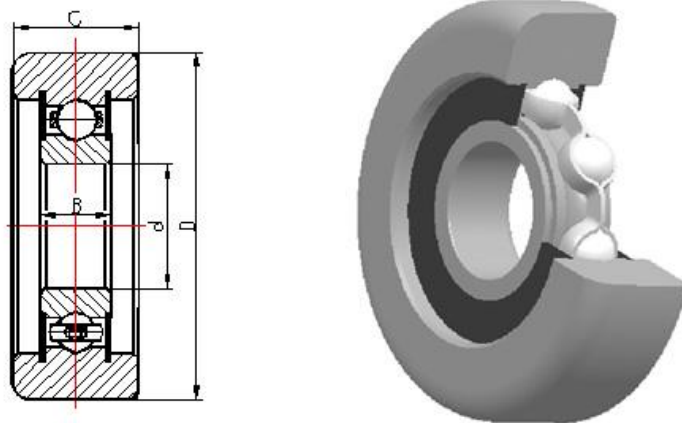


叉车门架滚轮 (MGxxA1-x) 单列球

Forklift Mast Roller



轴承型号	尺寸(mm)	额定载荷(KN)		参照型号
	d*D*C/B	Cr	Cor	
MG20A1-1	20*65*20/15	15.94	7.88	
MG25A1-1T	25*70*17/17	17.22	11.39	80605KT
MG25A1-2T	25*80*22/17	17.22	11.39	180705KT
MG25A1-4T	25*80*22/16	17.22	11.39	
MG25A1-8	25*80*22/16	17.22	11.39	
MG25A1-9M2T1	25*80*22/17	17.22	11.39	
MG25A1-14	25*70*27/15	10.78	6.98	
MG25A1-19	25*74.6*25.4/17	17.22	11.39	MG305DDA

MG25A1-20	25*70.2*23/17	17.22	11.39	30305V
MG25A1-32	25*76.2*25.4/17	17.22	11.39	MG305DD
MG25.4A1-1	25.4*74.6*25.4/17	17.22	11.39	
MG28A1-3	28*77.2*27/18	25.67	15.3	
MG30A1-2T	30*90*22/17	25.67	15.3	
MG30A1-3T	30*91.5*24/19	27.0	15.19	
MG30A1-10	30*82.5*27/19	27.0	15.19	MG306DDB
MG30A1-17	30*88.9*25.4/19	27.0	15.19	MG306DD
MG30A1-34T	30*92.5*24/19	27.0	15.19	
MG35A1-2T	35*102*25.4/20	33.36	19.21	80607KT
MG35A1-13	35*80*25/21	33.36	19.21	
MG35A1-16	35*101.6*28.58/21	33.36	19.21	MG307FFA
MG35A1-47	35*92*31.75/21	33.36	19.21	MG207FFU
MG35A1-89	35*81.86*27.1/17	25.67	15.3	MG207FFA
MG35A1-132	35*95.377*25.3/21	33.36	19.21	
MG35A1-135	35*94.62*25.4/21	33.36	19.21	MG307FFK
MG35A1-178	35*88.4*31.88/17	25.67	15.3	MG207FFB
MG35A1-206	35*102*25.4/20	33.36	19.21	

MG40A1-1M2T1	40*102*25.5/23	40.75	24.01	
MG40A1-4M2T1	40*109.7*32/23	40.75	24.01	
MG40A1-8T	40*109.7*32/23	40.75	24.01	180708KT
MG40A1-22	40*101.42*28.575/23	40.75	24.01	
MG40A1-23	40*102.24*28.575/23	40.75	24.01	
MG40A1-30	40*107.28*26.17/22	40.75	24.01	
MG40A1-41	40*114.9*28.21/23	40.75	24.01	
MG40A1-43	40*94.99*28.57/21	40.75	24.01	
MG40A1-46	40*115*28.2/23	40.75	24.01	
MG40A1-97	40*109.7*32/23	40.75	24.01	30708
MG40A1-104	40*95*28.58/21	29.52	18.14	MG208FFH
MG40A1-124	40*101.6*28.58/23	40.75	24.01	MG308FFH
MG40A1-141	40*113.95*31.75/23	40.75	24.01	MG308FFA
MG40A1-148	40*112*32/23	40.75	24.01	
MG40A1-194	40*101.35*28.58/21	29.52	18.14	MG208FFK
MG40A1-229	40*106.64*26.17/22	40.75	24.01	
MG45A1-2M2T1	45*123.5*34/25	52.86	31.83	
MG45A1-14	45*119.5*29/25	52.86	31.83	

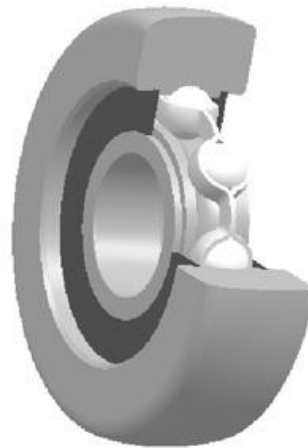
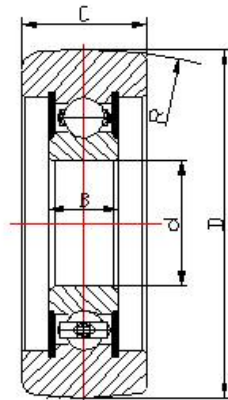
MG45A1-43	45*100.96*28.5/19	31.67	20.68	MG209DD
MG45A1-62	45*127.06*31.75/25	52.86	31.83	MG309DDA
MG45A1-70	45*119*30/25	52.86	31.83	30309
MG45A1-71	45*128.22*31.75/25	52.86	31.83	MG309DD
MG45A1-129	45*120*32/25	52.86	31.83	
MG45A1-149M2T1	45*124*34/25	52.86	31.83	
MG50A1-1T	50*130*40/27	61.86	37.94	10310HT
MG55A1-1T	55*110*31.34/21	43.38	29.22	80711K
MG55A1-2T	55*149*45/33	77.44	62.71	80611K5T
MG55A1-3T	55*149.5*45/33	77.44	62.71	80611K6T
MG55A1-4T	55*151*45/33	77.44	62.71	80611K2T
MG55A1-5T	55*165*45/33	77.44	62.71	80611K3T
MG55A1-43	55*151.9*38.1/29	71.57	44.76	MG311FFA
MG55A1-51T	55*119.2*34/25	41.02	30.87	80511K0T
MG55A1-52T	55*119.6*34/25	41.02	30.87	80511K1T
MG55A1-53T	55*120*34/25	41.02	30.87	80511K2T
MG55A1-60T	55*118.2*34/25	41.02	30.87	80511KX1
MG55A1-65	55*164.3*38.1/29	71.57	44.76	MG311FF

MG55A1-66	55*151.89*38.1/29	71.57	44.76	MG311ZZA
MG60A1-5	60*126.7*31/22	47.76	32.93	
MG60A1-6	60*149.5*45/31	81.75	51.85	
MG60A1-16T	60*165*45/33	93.87	60.44	
MG65A1-5	65*181*56/33	93.87	60.44	
MG65A1-11	65*174.5*45/33	93.87	60.44	
MG65A1-12	65*183.5*45/33	93.87	60.44	
MG70A1-2	70*200*56/35	104.13	68.04	
MG75A1-13	75*179.5*52/40	113.42	76.97	
MG75A1-14	75*180*45/37	122.94	86.5	
MG75A1-18	75*199.5*50/37	122.94	86.5	
MG75A1-19	75*200*57/37	122.94	86.5	
MG80A1-1	80*215*60/43	144.0	108.49	
MG85A1-1	85*169*45/34	77.16	59.28	
MG90A1-2M1	90*224.5*58/43	144.0	108.49	
MG90A1-5M1	90*225**59/43	122.14	92.72	
MG90A1-6M1	90*244.15*68/43	122.14	92.72	
MG90A1-7M1	90*223*59/43	122.14	92.72	

MG90A1-8	90*220*55/43	144.0	108.49	
MG100A1-4M1	100*250*65/47	183.69	153.08	

叉车门架滚轮 (MGxxA2-x) 单列球

Forklift Mast Roller



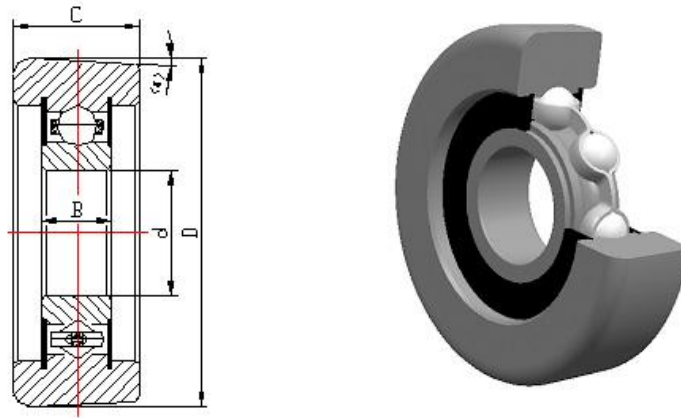
轴承型号	尺寸(mm) d*D*C/B	额定载荷(KN)		参照型号
		Cr	Cor	
MG25A2-1	25*76.2*25.4/17	22.38	11.49	MG305DDB
MG25A2-11	25*52.4*17/17	14.02	7.9	MRS900
MG25A2-17	25*62.4*20/20	22.38	11.49	MRS948
MG28A2-1	28*78.1*24/21	26.86	14.11	
MG30A2-2	30*86.36*28.58/16.6	19.46	11.31	MG206FFK
MG30A2-9	30*81*29/16.59	19.46	11.31	MG206FFU

MG30A2-10	30*82*29/16.59	19.46	11.31	MG206FFUB
MG30A2-11	30*88*29/16.59	19.46	11.31	MG206FFUP
MG30A2-14	30*70*22/22	19.46	11.31	MRS901
MG30A2-17	30*78*22/22	19.46	11.31	MRS907
MG35A2-15	35*92*31.2/20	33.36	19.21	
MG35A2-21	35*101.33*28.58/21	33.36	19.21	MG307FFP
MG35A2-28	35*82.2*31.2/20	33.36	19.21	MG207FFWB
MG36A2-2	36*101.4*27.5/21	33.36	19.21	
MG40A2-13	40*109.6*31/23	40.75	24.01	
MG40A2-14	40*108.6*31/23	40.75	24.01	MG308FFAB
MG40A2-17	40*112*32.23/21.65	35.07	23.18	MG308FFUA
MG45A2-2	45*117*40/25	52.86	31.83	
MG45A2-5	45*114*35/25	52.86	31.83	
MG50A2-1T	50*123*40/27	61.86	37.94	10310RT
MG50A2-2	50*129*40/27	61.86	37.94	
MG50A2-3	50*130*40/27	61.86	37.94	
MG50A2-4	50*131*40/27	61.86	37.94	
MG50A2-5T	50*123.5*40/27	61.86	37.94	10310RT

MG50A2-6T	50*123.8*40/27	61.86	37.94	10310RT
MG70A2-1M1	70*200*56/37	122.94	86.5	
MG70A2-2M1	70*200*56/39	122.94	86.5	
MG74.85A2-1M1	74.85*200*57/39	122.94	86.5	
MG75A2-1M1	75*200*57/39	122.94	86.5	
MG100A2-1M2T1	100*203*52/34	122.0	93.0	
MG100A2-4	100*205*52/34	122.0	93.0	

叉车门架滚轮 (MGxxA3-x) 单列球

Forklift Mast Roller



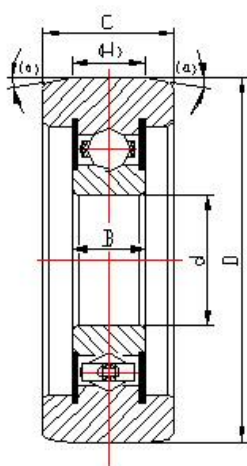
轴承型号	尺寸(mm) d*D*C/B	额定载荷(KN)		参照型号
		Cr	Cor	
MG24A3-1	24*61.7*24/16	20.6	14.8	

MG30A3-1	30*81.28*25.4*19.6	19.46	11.31	MG206FFA
MG35A3-1	35*107*25/21	33.36	19.21	
MG35A3-2	35*91.9*32/21	33.36	19.21	
MG35A3-3	35*95*30/21	33.36	19.21	30307V-B
MG35A3-4	35*101.35*28.58/21	33.36	19.21	MG307FFE
MG40A3-1T	40*112.3*29/18	29.52	18.14	Y30208T
MG40A3-8	40*119.2*34/25	40.75	24.01	
MG40A3-9T	40*109.7*28/23	40.75	24.01	130308KT
MG40A3-11	40*112.2*30/23	40.75	24.01	30308V
MG40A3-12	40*100.838*25.4/19.6	29.52	18.14	MG208FFA
MG40A3-13	40*118.5*28/23	40.75	24.01	
MG40A3-14T	40*112.4*29/18	29.52	18.14	Y30208CT
MG40A3-15T	40*112.8*29/18	29.52	18.14	Y30208JT
MG40A3-16	40*111*29/18	29.52	18.14	Y30208CT(D=111)
MG45A3-1	45*118.5*26/25	52.86	31.83	
MG45A3-2T	45*118.5*26/25	52.86	31.83	130309KT
MG55A3-1T	55*120*34/25	41.02	30.87	80511YT
MG55A3-2T	55*121.5*34/25	41.02	30.87	80511Y1T

MG55A3-3T	55*122.5*34/25	41.02	30.87	80511Y2T
MG55A3-6T	55*123.5*34/25	41.02	30.87	80511Y3T
MG55A3-7	55*121.5*34/25	41.02	30.87	980811
MG55A3-9	55*112.23*31.34/21	43.38	29.22	30711K1
MG55A3-10	55*121.4*36/25	41.02	30.87	30811K1
MG55A3-11T	55*121*34/25	41.02	30.87	980811JT
MG55A3-12	55*112.5*35/21	43.38	29.22	
MG55A3-13	55*122.5*34/25	41.02	30.87	30511K1-C
MG65A3-1	65*161*45/33	93.87	60.44	80613K

叉车门架滚轮 (MGxxA4-x) 单列球

Forklift Mast Roller



轴承型号	尺寸(mm)	额定载荷(KN)	参照型号
------	--------	----------	------

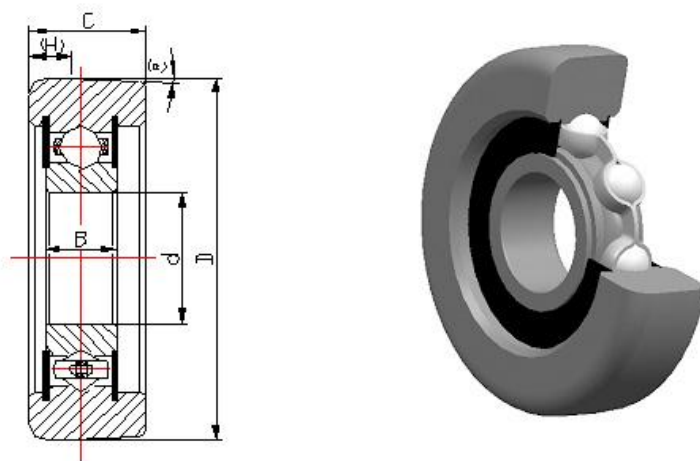
	d*D*C/B	Cr	Cor	
MG30A4-1M2T1	30*91.5*24/19	27.0	15.19	
MG30A4-2	30*92*24/19	27.0	15.19	
MG30A4-3M2T1	30*92*24/19	27.0	15.19	
MG30A4-5	30*91.5*24/19	27.0	15.19	
MG35A4-1M2T1	35*102*28/21	33.36	19.21	
MG35A4-4	35*107.9*31/21	33.36	19.21	
MG35A4-5M2T1	35*102.3*28/21	33.36	19.21	
MG40A4-2T	40*111.3*29/18	29.52	18.14	Y30208-N
MG40A4-4	40*94.8*28/23	40.75	24.01	
MG40A4-5	40*95.2*28/23	40.75	24.01	
MG40A4-6	40*100*30/23	40.75	24.01	
MG45A4-1	45*101.346*28.47/19	31.67	20.68	
MG45A4-2	45*101.2*28.3/19	31.67	20.68	
MG45A4-6M2T1	45*119*32/25	53.0	32.0	
MG45A4-7M2T1	45*119.5*29/25	53.0	32.0	
MG45A4-8M2T1	45*120*29/25	53.0	32.0	
MG45A4-13	45*120*29/25	52.86	31.83	

MG45A4-15M2T1	45*120*32/25	53.0	32.0	
MG45A4-16	45*101*28/19	31.67	20.68	
MG50A4-2M2T1	50*102*30/25.5	35.07	23.2	
MG50A4-4M2T1	50*143.5*41/27	61.86	37.94	
MG50A4-5M2T1	50*143.2*41/27	61.86	37.94	
MG50A4-7	50*102*30/25.5	35.07	23.2	
MG55A4-2M2T1	55*151.5*45/29	71.57	44.76	
MG55A4-3T	55*151.5*45/29	71.57	44.76	10311T
MG55A4-4M2T1	55*152*45/29	71.57	44.76	
MG55A4-8	55*118.5*34/25	41.02	30.87	980811B
MG55A4-9	55*152*45/29	71.57	44.76	
MG55A4-12T	55*118.5*34/25	41.02	30.87	980811NX
MG55A4-13T	55*119.2*34/25	41.02	30.87	980811NT
MG55A4-14	55*152.5*45/29	71.57	44.76	
MG55A4-15	55*151.5*45/29	71.57	44.76	
MG55A4-18T	55*118.7*34/25	41.02	30.87	980811NX-Y
MG60A4-1	60*148*45/31	81.75	51.85	
MG60A4-2	60*150*45/31	81.75	51.85	

MG60A4-3	60*152*45/31	81.75	51.85	
MG65A4-2M2T1	65*184*45/33	93.87	60.44	
MG65A4-3M2T1	65*183.5*45/33	93.87	60.44	
MG65A4-6	65*183.5*45/33	93.87	60.44	
MG70A4-1M1	70*200*56/35	104.13	68.04	
MG80A4-1	80*215*60/43	144.0	108.49	
MG85A4-1M2T1	85*169*45/34	83.21	63.96	
MG100A4-1	100*203*52/34	122.0	93.0	
MG100A4-2	100*205*52/34	122.0	93.0	
MG100A4-3	100*207*52/34	122.0	93.0	
MG100A4-4M1	100*248*64/47	183.69	153.08	

叉车门架滚轮 (MGxxA5-x) 单列球

Forklift Mast Roller



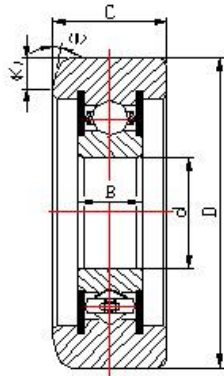
轴承型号	尺寸(mm)	额定载荷(KN)		参照型号
	d*D*C/B	Cr	Cor	
MG30A5-1M2T1	30*84.5*25/19	27.0	15.19	
MG30A5-2	30*84.5*25/19	27.0	15.19	
MG30A5-3M2T1	30*92*24/19	27.0	15.19	
MG35A5-1T	35*102*25.5/21	33.36	19.21	180707KT
MG35A5-2M2T1	35*102*28/21	33.36	19.21	
MG35A5-4M2T1	35*102.5*28/21	33.36	19.21	
MG35A5-8M2T1	35*94.5*25/21	33.36	19.21	
MG35A5-9M2T1	35*106.5*25/21	33.36	19.21	

MG35A5-10M2T1	35*107.7*25/21	33.36	19.21	
MG35A5-15M2T1	35*95.7*25/21	33.36	19.21	
MG35A5-16M2T1	35*96.7*25/21	33.36	19.21	
MG35A5-17M2T1	35*108.7*25/21	33.36	19.21	
MG40A5-1	40*101.6*28.58/23	40.75	24.01	
MG40A5-2M2T1	40*113.8*32/23	40.75	24.01	
MG40A5-3M2T1	40*114.3*32/23	40.75	24.01	
MG40A5-4M2T1	40*114.8*32/23	40.75	24.01	
MG40A5-5	40*113.8*32/23	40.75	24.01	
MG40A5-6M2T1	40*118.5*28/23	40.75	24.01	
MG40A5-7	40*114.3*32/23	40.75	24.01	
MG40A5-8M2T1	40*119.7*28/23	40.75	24.01	
MG40A5-9M2T1	40*120.7*28/23	40.75	24.01	
MG45A5-3T	45*119*29/25	52.86	31.83	180709KT
MG45A5-5M2T1	45*119.3*29/25	52.86	31.83	
MG45A5-6M2T1	45*119*29/25	48.8	29.3	
MG45A5-8M2T1	45*119.5*29/25	48.8	29.3	
MG45A5-10	45*119*29/25	48.8	29.3	

MG45A5-13M2T1	45*119.4*29/25	48.8	29.3	
MG50A5-1	50*123.3*34/27	61.86	37.94	
MG50A5-2	50*123.9*34/27	61.86	37.94	
MG60A5-4M2T1	60*148.5*45/31	81.75	51.85	
MG60A5-5M2T1	60*149.5*45/31	81.75	51.85	

叉车门架滚轮 (MGxxA6-x) 单列球

Forklift Mast Roller



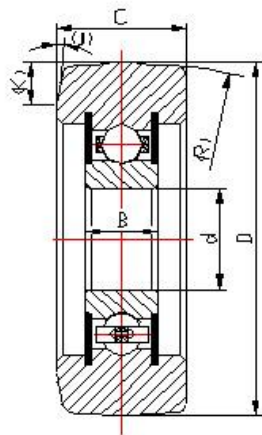
轴承型号	尺寸(mm)	额定载荷(KN)		参照型号
	d*D*C/B	Cr	Cor	
MG24A6-1	24*70.5*24/20.5	20.6	14.8	
MG24A6-2	24*71.0*24/20.5	20.6	14.8	

MG24A6-3	24*70.0*24/20.5	20.6	14.8	
MG35A6-3	35*107.8*25/21	33.36	19.21	
MG35A6-4	35*108.7*25/21	33.36	19.21	
MG35A6-5	35*85*25/17	25.67	15.3	
MG40A6-1	40*107.6*30/23	25.6	18.1	
MG40A6-2	40*107.7*30/20	25.6	18.1	
MG40A6-3	40*123*33.5/23	35.07	23.18	
MG40A6-10	40*98.5*28.5/22	40.75	24.01	
MG45A6-5	45*127*29.92/25	52.86	31.83	
MG45A6-6	45*127.81*29.92/25	52.86	31.83	
MG45A6-8	45*117*32/25	52.86	31.83	
MG45A6-9	45*118*32/25	52.86	31.83	
MG45A6-10	45*119*32/25	52.86	31.83	
MG45A6-11	45*120*32/25	52.86	31.83	
MG45A6-12	45*127.06*31.7/25	52.86	31.83	
MG45A6-13	45*127*31.5/25	52.86	31.83	
MG45A6-16	45*126.62*31.75/25	52.86	31.83	
MG50A6-1	50*129*34/27	62.0	38.5	

MG50A6-2	50*130*34/27	62.0	38.5	
MG50A6-3	50*131*34/27	62.0	38.5	
MG50A6-4	50*132*34/27	62.0	38.5	
MG50A6-7T	50*123*34/29	62.0	38.5	
MG60A6-1	60*149*36/31	81.75	51.85	
MG60A6-2	60*150*36/31	81.75	51.85	
MG60A6-3	60*151*36/31	81.75	51.85	
MG60A6-4	60*152*36/31	81.75	51.85	
MG75A6-1M2T1	75*200*57/39	122.94	86.5	

叉车门架滚轮 (MGxxA7-x) 单列球

Forklift Mast Roller



轴承型号	尺寸(mm)	额定载荷(KN)		参照型号
	d*D*C/B	Cr	Cor	
MG20A7-1M1	20*62.2*28.5/15	15.94	7.88	
MG24A7-1	24*61.8*24/15	18.14	10.18	
MG24A7-2	24*69.5*24/20	20.6	14.8	
MG24A7-5	24*71.0*24/20	20.6	14.8	
MG24A7-8	24*70*26/15	18.14	10.18	
MG24A7-9	24*69.5*26/15	18.14	10.18	
MG28A7-5	28*75.2*26/21	26.63	13.89	
MG28A7-6	28*80.5*24/21	26.63	13.89	
MG28A7-9	28*80*24/21	26.63	13.89	
MG28A7-10	28*79.5*24/21	26.63	13.89	
MG28A7-11	28*75.2*26/21	26.63	13.89	
MG28A7-19	28*81*24*21	26.63	13.89	
MG28A7-27	28*77.4*26/21	26.63	13.89	
MG33A7-1	33*75.3*24/20.5	19.5	11.68	
MG33A7-3	33*76.2*24/20.5	19.5	11.68	
MG35A7-1M2T1	35*97*28*21	33.36	19.21	

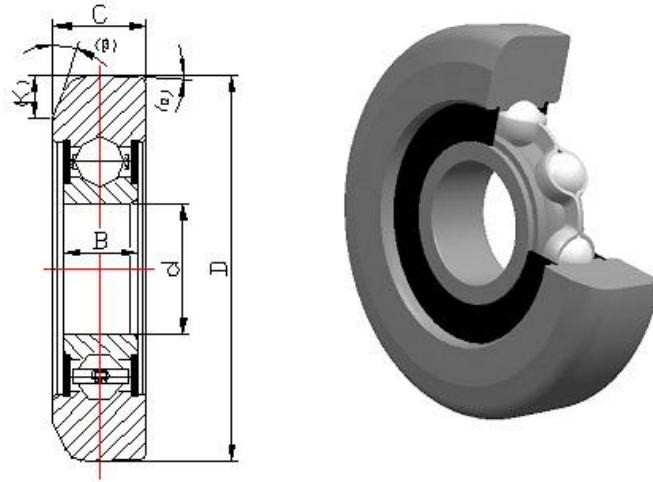
MG35A7-2M2T1	35*97.5*28/21	33.36	19.21	
MG35A7-3M2T1	35*98*28/21	33.36	19.21	
MG35A7-4M2T1	35*105*28/21	33.36	19.21	
MG35A7-5M2T1	35*105.5*28/21	33.36	19.21	
MG35A7-6M2T1	35*106*28/21	33.36	19.21	
MG35A7-7M2T1	35*102*28/21	33.36	19.21	
MG35A7-8M2T1	35*102.5*28/21	33.36	19.21	
MG35A7-9M2T1	35*103*28/21	33.36	19.21	
MG35A7-10M2T1	35*109*28/21	33.36	19.21	
MG35A7-11M2T1	35*109.5*28/21	33.36	19.21	
MG35A7-12M2T1	35*110*28/21	33.36	19.21	
MG35A7-13M2T1	35*94*28/21	33.36	19.21	
MG35A7-14M2T1	35*94.5*28/21	33.36	19.21	
MG35A7-15M2T1	35*95*28/21	33.36	19.21	
MG35A7-16M2T1	35*96.5*28/21	33.36	19.21	
MG35A7-17	35*88.2*37/21	33.36	19.21	
MG35A7-26M2T1	35*97*25/21	33.36	19.21	
MG35A7-30	35*102.5*28/21	33.36	19.21	

MG35A7-32	35*97.5*28/21	33.36	19.21	
MG40A7-1M2T1	40*115*32/23	40.75	24.01	
MG40A7-2M2T1	40*115.5*32/23	40.75	24.01	
MG40A7-3M2T1	40*116*32/23	40.75	24.01	
MG40A7-5	40*97.5*28.5/25	40.75	24.01	
MG40A7-9M2T1	40*123*32/23	40.75	24.01	
MG40A7-10M2T1	40*123.5*32/23	40.75	24.01	
MG40A7-11M2T1	40*124*32/23	40.75	24.01	
MG40A7-14	40*99*27/23	40.75	24.01	
MG40A7-19	40*115*32/23	40.75	24.01	
MG40A7-21	40*89.9*29/23.8	29.52	18.14	
MG40A7-22	40*101*40/25	40.75	24.01	
MG40A7-23M2T1	40*119*27/23	40.75	24.01	
MG40A7-24M2T1	40*119.5*27/23	40.75	24.01	
MG40A7-25M2T1	40*120*27/23	40.75	24.01	
MG40A7-26	40*102.5*25.5/22	29.52	18.14	
MG40A7-37M2T1	40*109*23/23	40.75	24.01	
MG45A7-4	45*115*30/25	52.86	31.83	

MG45A7-7	45*117*30/25	52.86	31.83	
MG45A7-10	45*113.8*30/25	52.86	31.83	
MG45A7-12M2T1	45*119.5*32/25	48.8	29.30	
MG45A7-14	45*114*35/25	52.86	31.83	
MG45A7-15	45*115*35/25	52.86	31.83	
MG45A7-16	45*116*35/25	52.86	31.83	
MG45A7-17	45*117*40/25	52.86	31.83	
MG45A7-18	45*118*40/25	52.86	31.83	
MG45A7-19	45*119*40/25	52.86	31.83	
MG45A7-20	45*127.06*31.75/25	52.86	31.83	
MG50A7-1	50*123.5*40/33	61.86	37.94	
MG50A7-4	50*122.5*40/33	61.86	37.94	
MG55A7-1M2T1	55*152*45/29	71.57	44.76	
MG55A7-2M2T1	55*151.5*45/29	71.57	44.76	
MG55A7-3	55*152*45/29	71.57	44.76	
MG65A7-1	65*135*41/34	44.0	34.18	
MG65A7-2	65*135*42/34	44.0	34.18	

叉车门架滚轮 (MGxxA8-x) 单列球

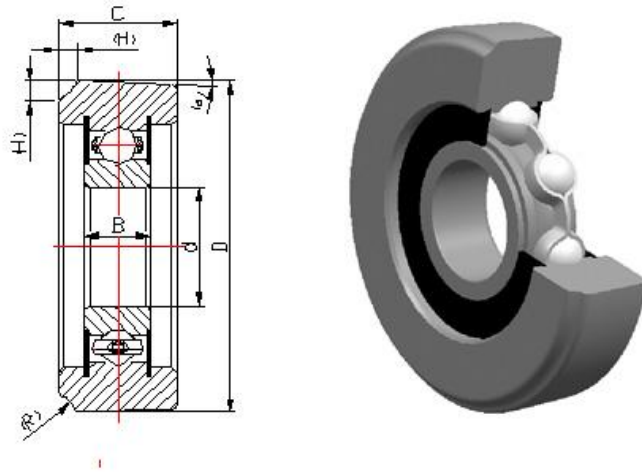
Forklift Mast Roller



轴承型号	尺寸(mm)	额定载荷(KN)		参照型号
	d*D*C/B	Cr	Cor	
MG25A8-1	25*78.7*25/17	17.22	11.39	
MG30A8-1	30*78*28/24	27.0	15.19	
MG35A8-1M2T1	35*108*25/21	33.36	19.21	
MG35A8-2M2T1	35*109.2*25/21	33.36	19.21	
MG40A8-3M2T1	40*118*28/23	40.75	24.01	
MG40A8-4M2T1	40*119.2*28/23	40.75	24.01	
MG40A8-5M2T1	40*120.2*28/23	40.75	24.01	
MG50A8-1	50*129*38/27	61.86	37.94	

叉车门架滚轮 (MGxxA9-x) 单列球

Forklift Mast Roller



轴承型号	尺寸(mm)	额定载荷(KN)		参照型号
	d*D*C/B	Cr	Cor	
MG35A9-1	35*91.24*31.88/21	33.36	19.21	MG207FFH
MG35A9-2	35*110.26*30.28/21	33.36	19.21	MG207FFK
MG35A9-3	35*111*31/21	33.36	19.21	
MG35A9-4	35*91*31/21	33.36	19.21	