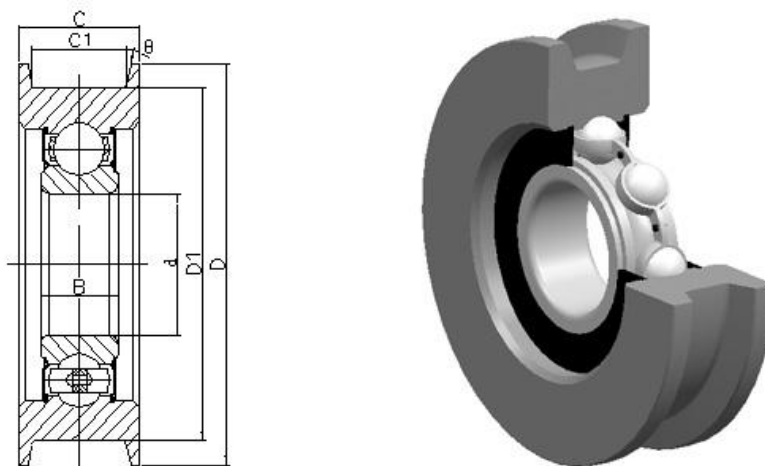


# 叉车门架链轮 (CGxxA1-x) 单列球

Forklift Chain Pulley



轴承型号	尺寸(mm)	额定载荷(KN)	
	d*D/D1*C/C1*B	Cr	Cor
W2514024	25*160/140*40/24*30	44.93	27.22
W308020	30*94/80*31/20*19	27.0	15.19
W3012020	30*127/120*32/20*19	27.0	15.19
W308520	30*105/85*30/20*19	27.0	15.19
W307022	30*82/70*30/22*16	19.46	11.31
W307522	30*87/75*34/22*26	27.0	15.19
W229021	35*105/90*30/21*21	33.36	19.21
W359020	35*109/90*30/20*21	33.36	19.21

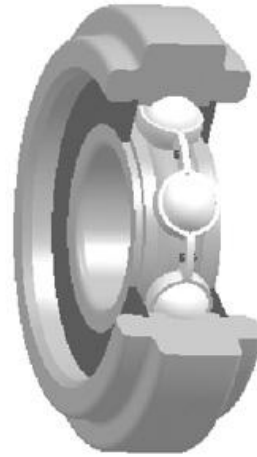
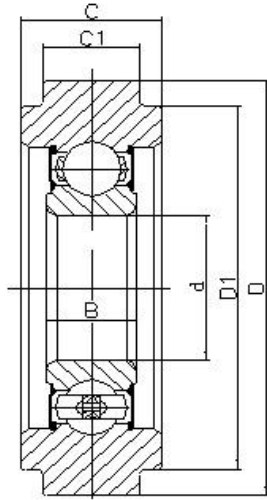
W358021	35*90/80*29/21*21	33.36	19.21
W3581620	35*97/81.6*30/20*21	33.36	19.21
W358321	35*97/83*30/21*21	33.36	19.21
W3510175286	35*119/101.75*38.3/28.6*21	33.36	19.21
W409521	40*113/95*32/21*23	40.75	24.01
W4010027	40*118/100*37/27*23	40.75	24.01
W4010028	40*118/100*37/28*23	40.75	24.01
W4010531	40*123/105*42/31*19	25.6	18.1
W4011336	40*131/113*48/36*25	35.07	23.18
W4011529	40*134/115*39/29*27	50.39	37.97
W4011532	40*134/115*43/32*27	50.39	37.97
W4012028	40*138/120*37/28*23	40.75	24.01
W4010028	40*114/100*36/28*23	40.75	24.01
W4012427	40*142/124*34/27*23	40.75	24.01
W4010026	40*118/100*32/26*23	40.75	24.01
W4010027	40*118/100*34/27*23	40.75	24.01
W409521	40*105/95*29/21*23	40.75	24.01
W4011030	40*120/110*40/30*23	40.75	24.01

W409630	40*113/96*40/30*23	40.75	24.01
W4010423	40*118/104*37/23*23	40.75	24.01
W4010028	40*118/100*37/28*23	40.75	24.01
W4010027	40*114/100*34/27*23	40.75	24.01
W4094.521	40*107/94.5*32/21*23	40.75	24.01
W4012027	40*140/120*34/27*23	40.75	24.01
W4510632	45*123/106*44/32*25	52.86	31.83
W4511031	45*123/110*38.5/31*25	52.86	31.83
W4511025	45*126/110*36/25*25	52.86	31.83
W4511625	45*138/116*36/25*25	52.86	31.83
W4510526	45*117/105*36/26*25	52.86	31.83
W4512326	45*135/123*36/26*25	47.76	32.93
W4510632	45*123/106*44/32*25	52.86	31.83
W4511028	45*121/110*36/28*25	52.86	31.83
W4511031	45*123/110*40/31*25	52.86	31.83
W4511028	45*126/110*38/28*25	52.86	31.83
W4511025	45*125/110*35/25*25	52.86	31.83
W4511027	45*128/110*34/27*25	52.86	31.83

W4511628	45*138/116*39/28*25	52.86	31.83
W4511034	45*126/110*44/34*25	52.86	31.83
W5012227	50*141/122*46/27*27	61.86	37.94
W5013425	50*148/134*41/25*27	61.86	37.94
W5013535	50*151/135*44/35*27	61.86	37.94
W5013533	50*155/135*42/33*27	61.86	37.94
W5012239	50*140/122*46/39*27	61.86	37.94
W5013235	50*150/132*50/35*29	61.86	37.94
W5011532	50*124/115*38/32*27	61.86	37.94
W5514042	55*156/140*57/42*44.7	81.75	51.85
W5514536	55*160/145*52/36*44.5	77.44	62.71
W6516044	65*176/160*65/44*49	104.13	68.04
W7520056	75*216/200*72/56*54	144.0	108.9
W7520050	75*216/200*66/50*54	1454.0	108.9
W8022454	80*250/224*74/54*39	122.94	86.5

# 叉车门架链轮 (CGxxA3-x) 单列球

Forklift Chain Pulley



轴承型号	尺寸(mm)	额定载荷(KN)	
	d*D/D1*C/C1*B	Cr	Cor
W25626	25*70/62*15/6*15	14.0	7.88
W257412	25*86/74*30/12*17	22.38	11.49
W30728	30*80/72*16/8*16	19.46	11.31
W306684	30*75/66*16/8.4*16	19.46	11.31
W308055	30*90/80*25/15.5*19	27.0	15.19
W35816146	35*91/81.6*21/14.6*21	33.36	19.21
W3577147	35*88/77*25/14.7*21	33.36	19.21
W3580116	35*88/80*25/11.6*21	33.36	19.21

W408818	40*102/88*23/18*23	40.75	24.01
W409318	40*103/93*23/18*23	40.75	24.01
W4091142	40*100/91*32/14.2*23	40.75	24.01
W40932147	40*103/93.2*23/14.7*26	40.75	24.01
W408818	40*103/88*23/18*23	40.75	24.01
W4088185	40*102.5/88*24/18.5	40.75	24.01
W4087618	40*102/87.6*23/18*23	40.75	24.01
W4599145	45*113/99*31/14.5*25	52.86	31.83
W4511014	45*110/100*25/14*25	52.86	31.83
W459718	45*110/97*25/18*25	52.86	31.83
W45100175	45*113/100*31/17.5*25	52.86	31.83
W50125145	50*139/125*31/14.5*27	62.0	38.5