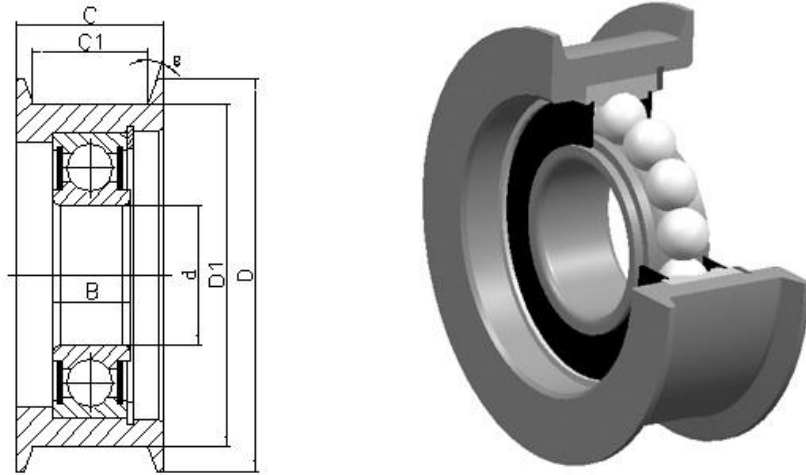


叉车门架链轮 (CGxxE1-x) 带外壳

Forklift Chain Pulley



轴承型号	尺寸(mm)	额定载荷(KN)	
	内径*外径*外圈宽度/内圈宽度	Cr	Cor
W25893175	25*108/89*38.1/31.75*24	42.6	35.8
W308027	30*90/80*36/27*19	26.7	14.9
W358630	35*98.5/86*50.3/30*20	38.74	26.79
W358627	35*98.5/86*50.3(39)/27*20	38.74	26.79
W358630	35*98.5/86*38/30*20	38.74	26.79
W4511529	45*123/115*36/29*32	75.5	121.6
W5011436	50*138/114*52/36*40	57.0	46.5
W5514038	55/100*156/140*54/38*45	70.5	58.8

W6015050	60*170/150*70/50*75	200.0	228.0
W7520050	75/130*216/200*66/50*54	107.2	99.3
W9523068	95*246/230*80/68	179.0	165.0
W9526568	95*300/265*90/68*68	180.0	165.0
W10023069	100*280/230*96/69*100	380.0	820.0
W100280110	100*330/280*140/110*144	1024.0	1588.0