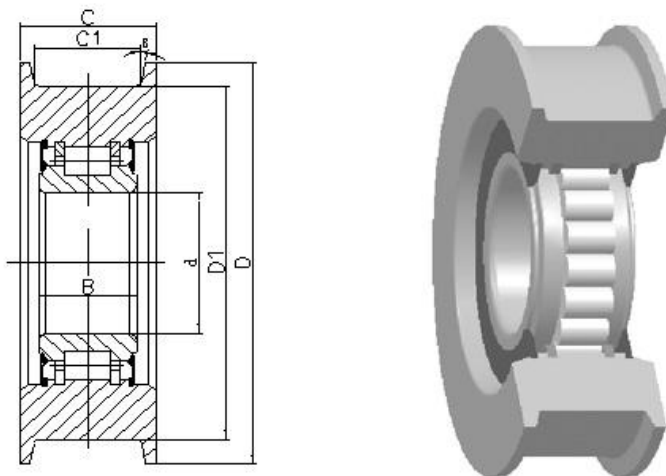


叉车门架链轮 (CGxxR1-x) 滚子类

Forklift Chain Pulley



轴承型号	尺寸(mm)	额定载荷(KN)	
	d*D/D1*C/C1*B	Cr	Cor
W25104325	25*117/104*46.5/32.5*48.5	85.35	110.0
W2590325	25*108/90*46.5/32.5*48.5	85.35	110.0
W3065205	30*73/65*27/20.5*28	50.0	62.0
W306522	30*77/65*34/22*26	57.8	72.8
W308027	30*90/80*36/27*19	48.0	50.0
W35102394	35*112/102*47/39.4*49	115.2	143.0
W35112394	35*120/112*47/39.4*49	115.2	143.0
W357020	35*79/70*26/20*20	44.5	65.79

W3598847	35*114.3/98.8*56/47*58	160.0	284.0
W358023	35*88/80*27/23*28	88.0	95.0
W35624	35*90/62*28.35/4*21.7	45.9	60.6
W38177842	38.1*190.5/177.8*50.8/42*50.8	164.6	239.1
W3814342	38.1*155.5/143*50.8/42*38	164.6	239.1
W3815242	38.1*165/152*50.8/42*50.8	164.6	239.1
W409425	40*108/94*33.2/25*23	52.8	63.6
W4010127	40*111/101*36/27*26	58.3	79.9
W4095254	40*107.95/95*33.32/25.4*23	52.8	63.6
W408527	40*95.3/85*34.5/27*30	76.2	102
W408526	40*100/85*36/26*38	122.1	186.1
W4010430	40*124/104*43/30*30	83.8	116.4
W408225	40*100/82*36/25*26	58.3	79.9
W409025	40*108/90*36/25*26	58.3	79.9
W408427	40*100/84*36/27*26	58.3	79.9
W408020	40*93/80*26/20*20	51.3	74.7
W4012747	40*139/127*50.8/42*38	125.0	156.0
W4090934191	40*103.12/90.93*50.8/41.91*38.1	100.0	126.0

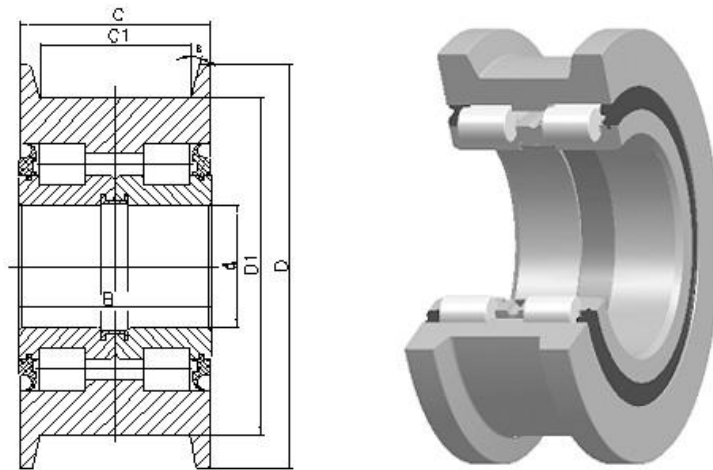
W40954285	40*107.8/95.4*36.6/28.5*23	52.8	63.6
W408226	40*92/82*36/26*26	58.3	79.9
W4512850	45*150/128*69/50*50.8	174.0	230.0
W4515151	45*174/151*72/51*50.8	174.0	230.0
W4515050	45*174/150*72/50*51	174.0	230.0
W4512950	45*150/129*69/50*51	174.0	230.0
W4512731	45*136/127*38/31*40	150.1	275.8
W459545	45*123/95*60/45*65	160.0	284.5
W45129256	45*152.4/129.2*67/56*69	253.0	397.0
W458027	45*94/80*34/27*17.2	45.0	85.3
W4512851	45*150/128*69/51*50	174.0	230.0
W4512531	45*138/125*38/31*40	150.1	275.8
W459125	45*105/91*34/25*30	85.0	104.0
W45114535	45*130/114.5*44.5/35*24.5	85.0	150.0
W4510038	45*110/100*45/38*45	110.0	163.0
W5010636	50*130/106*52/36*40	187.0	217.0
W5010431	50*124/104*43/31*30	76.5	113.7
W5010435	50*124/104*46/35*27	76.5	113.7

W5011034	50*128/110*42.5/34*44.5	187.0	217.0
W5010431	50*124/104*43/31*30	76.5	113.7
W5010441	50*124/104*56/41*35	76.5	113.7
W5010033	50*115/100*40/33*42	123.8	201.7
W5010445	50*124/104*60/45*35	76.5	113.7
W5012935	50*143/129*45/35*44	161.7	275.8
W5090325	50*105/90*40/32.5*32	111.2	185.1
W50147404	50*165/147*50/40.4*37	141.0	209.0
W5011038	50*128/110*46.5/38*44.5	187.0	217.0
W5513055	55*158/130*65/55*67	265.8	391.5
W5512041	55*145/120*56/41*40	155.0	196.0
W5513037	55*146/130*47/37*40	155.0	196.0
W5511045	55*135/110*56/45*58	135.0	146.0
W5512042	55*144/120*56/42*40	155.0	196.0
W5512243	55*144/122*56/43*40	155.0	196.0
W5512451	55*144/124*68/51*50	265.8	391.5
W5513534	55*155/135*42/34*27	117.5	137.0
W5514042	55*156/140*57/42*44.7	160.8	208.0

W7016049	70*176/160*68/49*53.4	250.0	365.0
W7017037	70*184/170*47/37*40	186.7	269.7
W7520068	75*216/200*80/68*68	480.0	690.0
W7520072	75*216/200*91/72*68	480.0	690.0
W8023062	80*246/230*73/62*77	505.0	644.0
W9523068	95*246/230*80/68*68	612.0	817.0

叉车门架链轮 (CGxxR2-x) 滚子类

Forklift Chain Pulley

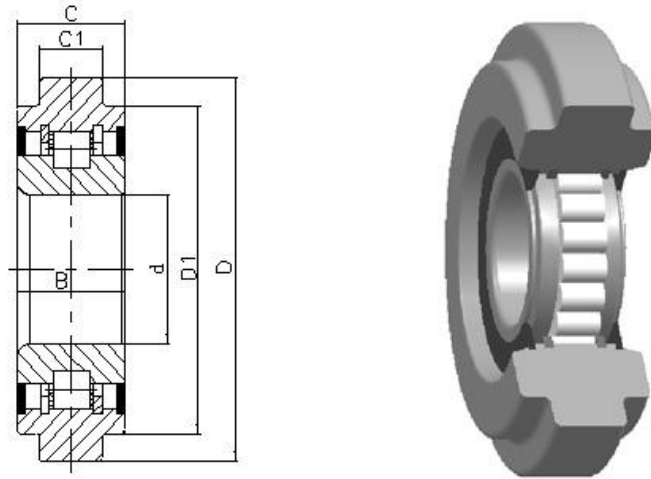


轴承型号	尺寸(mm)	额定载荷(KN)	
	d*D/D1*C/C1*B	Cr	Cor
W60110545	60*120/110*60.5/54.5*61.5	260.0	340.0

W6017472	60*204/174*88/72*92	363.0	534.0
W80222100	80*266/222*125/100*128	675.0	950.0
W8015772	80*187/157*88/72*68	336.3	570.4
W8022290	80*256/222*117/90*120	675.0	950.0
W8015772	80*187/157*88/72*68	336.3	570.4
W8022264	80*266/222*95/64*117	640.0	880.0
W80260130	80*305/260*165/130*145	820.0	1160.0
W10018488	100*218/184*106/88*85	387.0	693.0
W100302130	100*346/302*155/130*160	736.0	980.0
W100254105	100*305/254*135/105*150	1033.0	1721.0
W10024069	100*280/240*96/69*100	540.0	960.0
W100252100	100*296/252*125/100*128	795.0	1178.0
W10023069	100*280/230*96/69*100	540.0	960.0
W11021298	110*256/212*120/98*95	410.0	780.0
W11021298	110*256/212*120/98*95	528.0	985.0

叉车门架链轮 (CGxxR3-x) 滚子类

Forklift Chain Pulley



轴承型号	尺寸(mm)	额定载荷(KN)	
	$d \times D / D1 \times C / C1 \times B$	Cr	Cor
W408318	40*95/83*23/18*23	63.0	70.0
W4088175	40*103/88*30/17.5*30	65.2	74.3
W40887146	40*103/88.7*23/14.6*23	65.2	74.3
W4088175	40*103/88*30/17.5*30	77.9	81.7
W4088175	40*103/88*26/17.5*26	77.9	81.7
W45100175	45X119/100X25/17.5*25	81.2	87.9
W45795183	45*101.7/79.5*28.7/18.3*28.7	60.9	88.1